



## Warranty & Installation Manual

AluminArt Products Limited (the Company) warrants to the original purchaser, (the Purchaser) that, the aluminum components and the woodcore blank of the storm door will not crack, rot, split or rust during the Warranty Period (see below) from the date of purchase (the Purchase). The Company further warrants to the Purchaser that hardware components, including the handle, latch, locks, closer (and/or assemblies) are free from manufacturing defect for a period of one (1) year from the date of purchase. The PVD brass finish hardware has a lifetime warranty.

The Company agrees to repair or replace, at its option, the defective component, F.O.B. the Company. The cost of repair or replacement hereunder shall not exceed the original purchase price value (the Price) as evidenced by the original proof of purchase (the Proof) and excludes any claim for labour and/or freight charges relative to the removal, repair and re-installation of the component. Settlement of any claim may require the prepaid delivery of the defective component to the Company or its designate.

This Warranty shall commence with the purchase and continue for the duration of the warranty period, providing the product is in residential use and the Purchaser owns and resides in the residential unit on which the defective component was originally installed.

Should a warranty defect be found;

**In United States of America**, the Purchaser shall notify the Company by calling our consumer toll free hotline at 1-800-541-7307.

**In Canada**, the Purchaser shall notify and provide the selling retailer (the Retailer) named on the Proof, with the Proof, a photograph of the defective component and this Warranty supporting the claim and a completed claim form detailing the defect. The Retailer shall submit the claim and supporting documents to the Customer Service Department for processing.

This Warranty specifically excludes all claims arising from breakage or damage to glass, vinyl, hinges, hinge mounting frame assembly, or screening components; damage due to misuse, abuse, improper maintenance, improper installation, alteration, non-residential use and /or the forces of nature including, but not limited to, weathering.

**IN NO EVENT SHALL THE COMPANY BE LIABLE FOR ANY CONSEQUENTIAL, INDIRECT, INCIDENTAL OR SPECIAL DAMAGES OF ANY NATURE ARISING FROM THE SALE OR USE OF THE PRODUCT.**

**THE COMPANY MAKES NO OTHER WARRANTY, AND ALL IMPLIED WARRANTIES, INCLUDING ANY WARRANTY OF MERCHANTABILITY OR FITNESS FOR A PARTICULAR PURPOSE, ARE LIMITED TO THE EXPRESS WARRANTY AS SET FORTH ABOVE.**

**THE DURATION OF IMPLIED WARRANTIES OF MERCHANTABILITY AND FITNESS FOR A PARTICULAR PURPOSE IS LIMITED TO THE DURATION OF THIS WRITTEN WARRANTY. ALL CLAIMS FOR CONSEQUENTIAL OR INCIDENTAL DAMAGES FOR BREACH OF THIS WARRANTY ARE EXCLUDED AND IN NO EVENT SHALL THE MANUFACTURER'S LIABILITY FOR BREACH OF WARRANTY, NEGLIGENCE, STRICT LIABILITY OR BREACH OF CONTRACT EXCEED THE COST OF THIS PRODUCT. HOWEVER, THE PURCHASER IS ENTITLED TO THE REMEDIES PROVIDED HEREIN. SOME STATES DO NOT ALLOW LIMITATIONS ON HOW LONG AN IMPLIED WARRANTY LASTS OR EXCLUSION OR LIMITATION OF INCIDENTAL OR CONSEQUENTIAL DAMAGES, SO THE ABOVE LIMITATION MAY NOT APPLY TO YOU.**

**NO REPRESENTATIVE OR PERSON IS AUTHORIZED TO ASSUME FOR US ANY OTHER LIABILITY IN CONNECTION WITH THE SALE OF THIS PRODUCT. THIS WARRANTY GIVES YOU SPECIFIC LEGAL RIGHTS AND YOU MAY ALSO HAVE OTHER RIGHTS, WHICH VARY, FROM STATE TO STATE.**

### Warranty Period

<p><b>Aluminum Series</b>          Provincial / National / Classic          Northern / Fiera / Regal / Signature          Lifestyle/ SureSeal / Century</p>	<p><b>Woodcore Series</b>          Advantage          WeatherGuard / Premier</p>
<p>7 Years          Lifetime          Lifetime</p>	<p>7 Years          Lifetime</p>

## BEFORE YOU BEGIN

1. **Read** all instructions carefully before you begin.
2. Check package contents and hardware box(es).
3. Ensure you have necessary tools required to complete installation.

**NOTE:** On Full Lite doors, the screen insert is secured to the inside of the door with two temporary 4" retainer strips. Before installing the door, discard the 4" strips and set the screen aside.

## CHECK CONTENTS OF STORM DOOR PACKAGE

\_\_\_ Storm door, complete with glass insert(s), screen system

\_\_\_ Hardware kit(s) includes:

- \_\_\_ Handle assembly
- \_\_\_ Closer Assembly

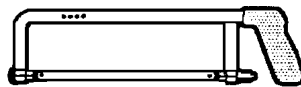
\_\_\_ Mounting frame kit includes:

- \_\_\_ Hinge mounting frame
- \_\_\_ Latch mounting frame
- \_\_\_ Header mounting frame
- \_\_\_ Expander sweep system
- \_\_\_ Mounting frame screw covers (selected models)
- \_\_\_ Installation screw package

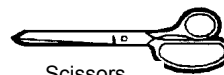
## TOOL REQUIREMENTS FOR INSTALLATION



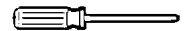
Carpenter's level



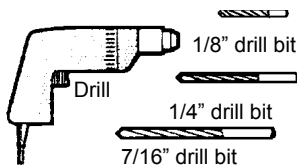
Hacksaw



Scissors



Phillips screwdriver



Drill

1/8" drill bit

1/4" drill bit

7/16" drill bit

Pencil



Pliers

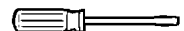
Center punch



Hammer



Tape measure



Slot screwdriver



File

## DOOR INFORMATION

From the product code label attached to the door's mainframe, record the following information for warranty purposes.

Date of Purchase: \_\_\_\_\_

Door Name: \_\_\_\_\_

Door Color: \_\_\_\_\_

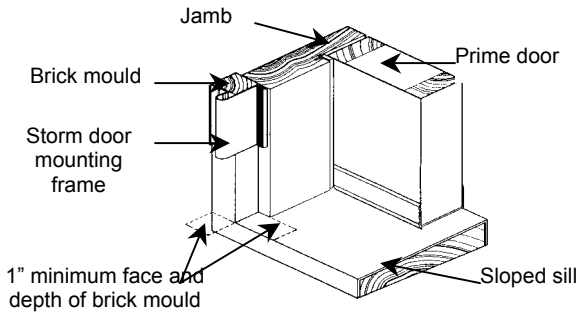
Door Size: \_\_\_\_\_

Model #: \_\_\_\_\_

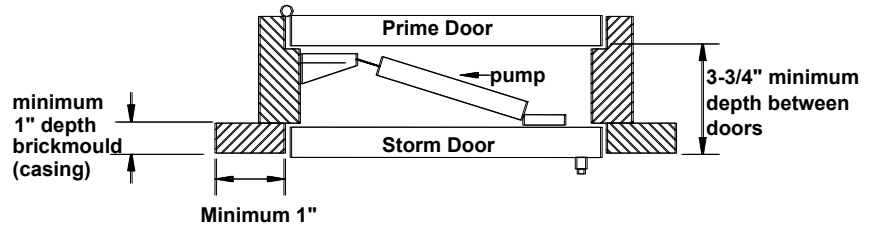
Serial #: \_\_\_\_\_

**STEP 1 PRIME DOOR BRICK MOULD**

1. Brick mould is the wooden frame attached to the door opening. The storm door requires a 1" deep by 1" wide minimum brick mould for installation. If required, shim the brick mould to the 1" minimum dimension. See Fig. 1.
2. A 3/4" minimum depth is required between the prime door and storm door mounting frame to allow for hardware. Build out if required. See Fig. 2.



**Fig. 1**



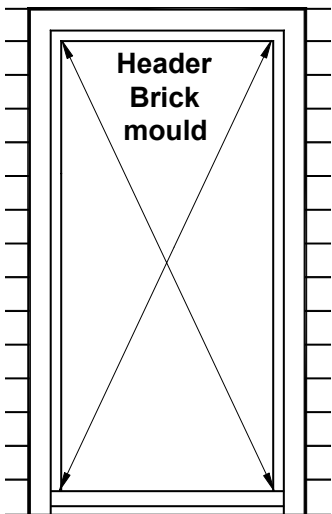
**Fig. 2**

**STEP 2 MEASURE BRICK MOULD FOR SQUARE AND LEVEL**

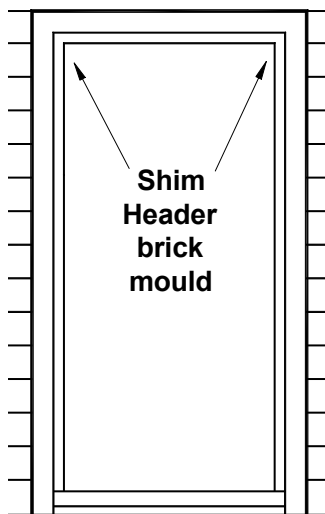
To ensure a proper fitting storm door the brick mould should be square. Standing outside the opening:

1. Measure from top right hand side where the header brick mould and right side brick mould meet diagonally to the lower left hand side of the opening. Record measurement. See Fig. 1.
2. Repeat Step 1 from top left hand side diagonally to lower right hand side. Record measurement. See Fig. 1.

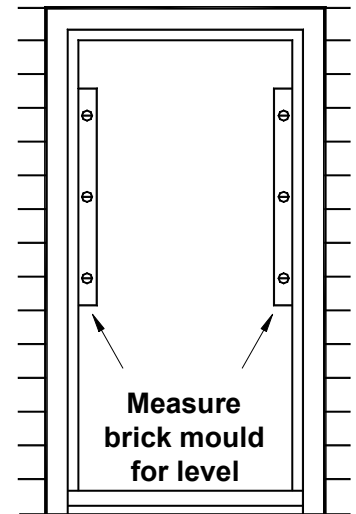
If one measurement is longer, place a shim on the header brick mould so that both measurements are equal within 1/8" of each other. See Fig. 2. The brick mould must be level from top to bottom of the opening on both sides. See Fig.3. If your brick mould is not level add a piece of wood or shim in the appropriate places.



**Fig.1**



**Fig.2**



**Fig. 3**

**STEP 3****DETERMINING THE HINGE SIDE OF DOOR OPENING**

Standing on the outside of the house, facing the doorway, mark hinge side (LEFT or RIGHT) on the outside of the storm door.

See Fig. 1 and Fig.2.

Left hand hinged door



Fig. 1

Right hand hinged door



Fig. 2

**STEP 4****INSTALLING HINGED MOUNTING FRAME TO STORM DOOR**

For LEFTSIDE hinging, see Fig. 1. For RIGHTSIDE hinging, see Fig. 2.

1. Using the door packaging as a protective pad, place door on its edge with side to be hinged up.
2. Position hinged mounting frame on door edge, facing outside of door.
3. Slide each hinge into the hinge interlock and lock into place. This ensures proper fit and operation of hinges.
4. Insure the hinged mounting frame extends 3/16" beyond the top outside edge of the storm door.
5. Pre-drill 1/8" pilot holes through hinge holes and fasten with #8x3/4" screws.

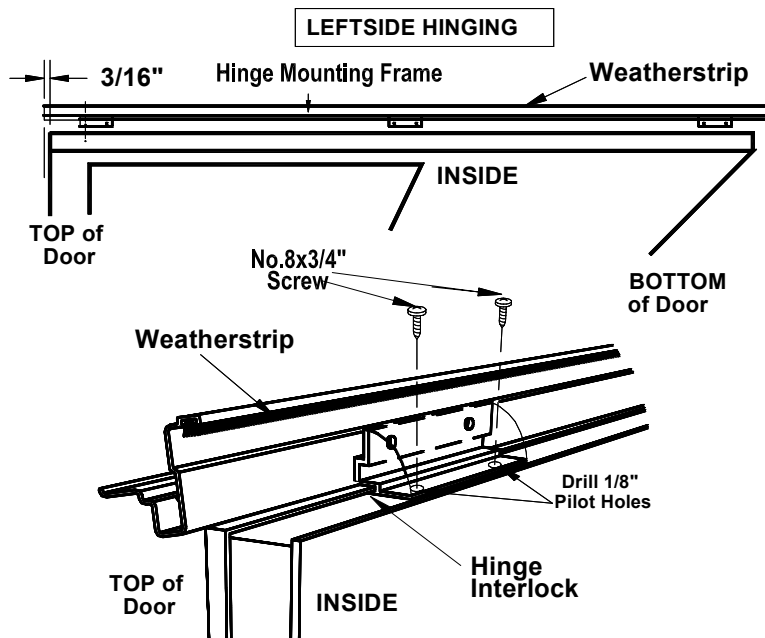


Fig. 1

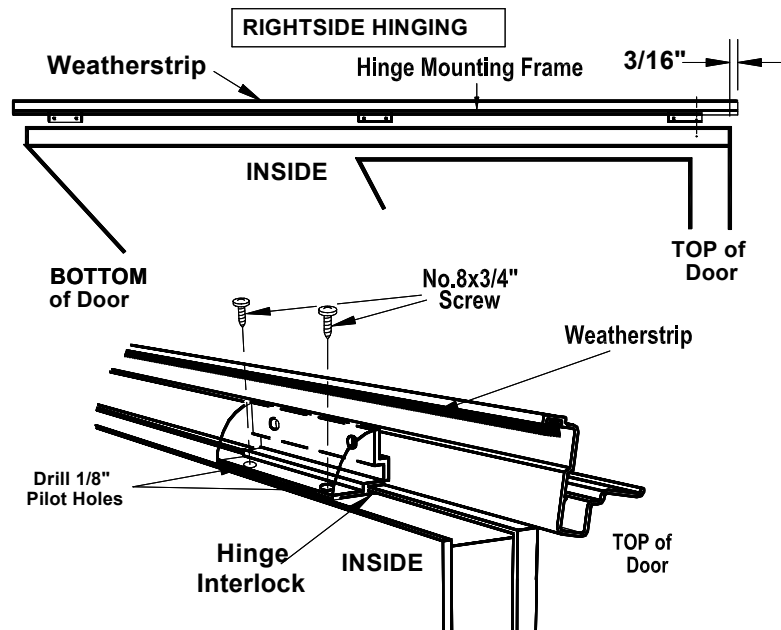
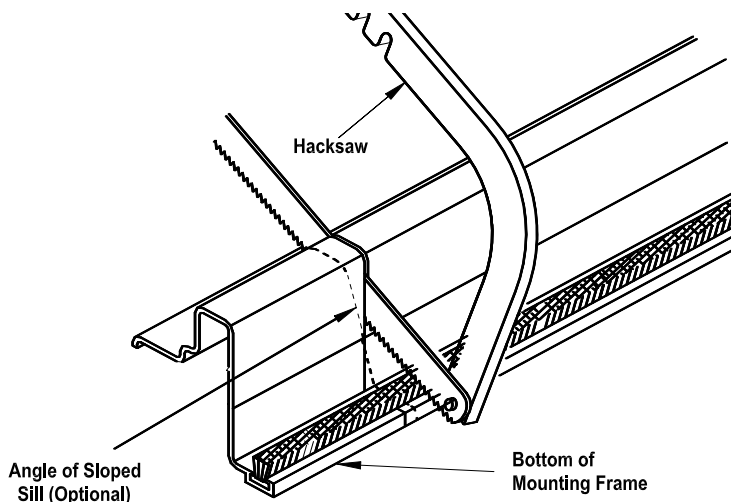


Fig. 2

**STEP 5 MEASURE AND CUT HINGED MOUNTING FRAME**

1. On the hinge side of the opening measure the height of the brick mould, top to bottom.
2. Starting at the top of the hinge-mounting frame, measure down the same distance. Subtract 1/8" and draw a line. You may want to angle the line to follow the slope of your sill.
3. Using a hacksaw, cut the frame on the line.
4. Use a file to remove sharp burrs.



**STEP 6 INSTALLING EXPANDER SWEEP**

The expander sweep is located on the bottom of the door. There are three types: L-Shape, U-Shape and I-Shape. Follow instructions that match your sweep.

**INSTALLING "L SHAPE" EXPANDER SWEEP**

1. Position expander sweep tight to the bottom inside of door. See Fig. 1.
2. Ensure the bulb is flattened, and the ends of the expander align with inside edges of storm door. Drill a 1/8" pilot hole at the bottom of each installation slot and install the #8x3/8" screws in each hole. See Fig. 2.
3. Pull expander down fully and tighten the screws. See Fig. 3.

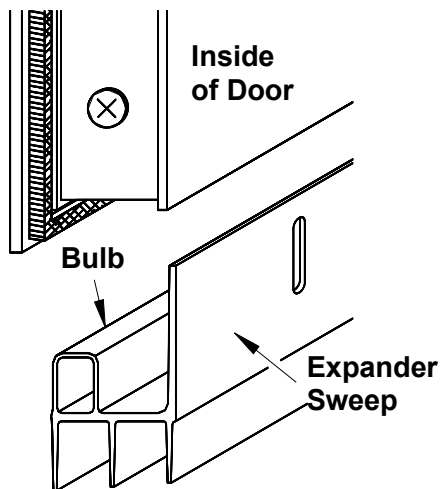


Fig. 1

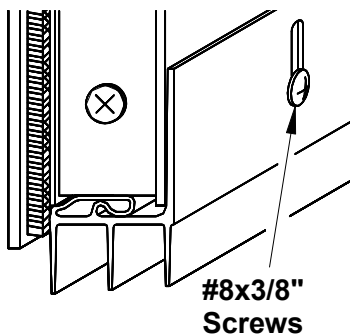


Fig.2

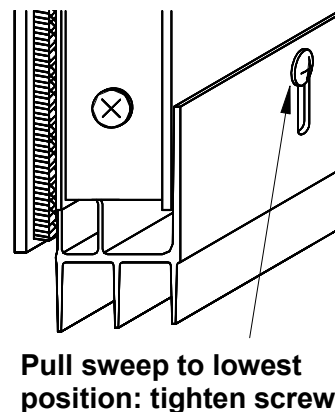


Fig. 3

## INSTALLING "U SHAPE" EXPANDER SWEEP

1. Slide vinyl sweeps into grooves on bottom surface and crimp ends with pliers. Trim excess length even with end of expander. See Fig. 1.
2. Position expander sweep tight to the bottom of door and align the ends of the expander with inside edges of storm door. See Fig. 2.

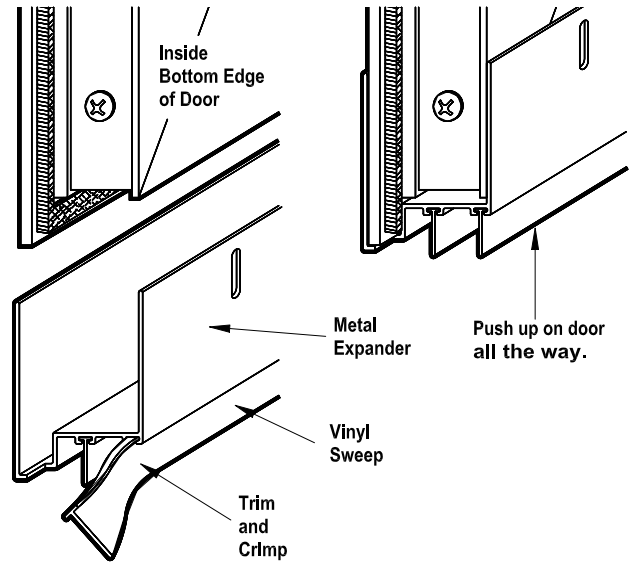


Fig. 1

Fig. 2.

## INSTALLING "I SHAPE" EXPANDER SWEEP

Before starting this step, complete the next step "Installing Storm Door / Mounting Frame to Brick Mould" first.

1. Slide vinyl sweep into groove on bottom of expander and crimp ends with pliers. Trim excess length even with end of expander. See Fig. 1.
2. Position expander sweep on the bottom outside of door ensuring the ends of the expander align with ends of the doorframe. See Fig. 2.
3. Drill a 1/8" pilot hole at the bottom of the installation slots and install the #8x3/8" screws in each hole. Lower sweep so the vinyl fin just touches the sill. See Fig. 3.

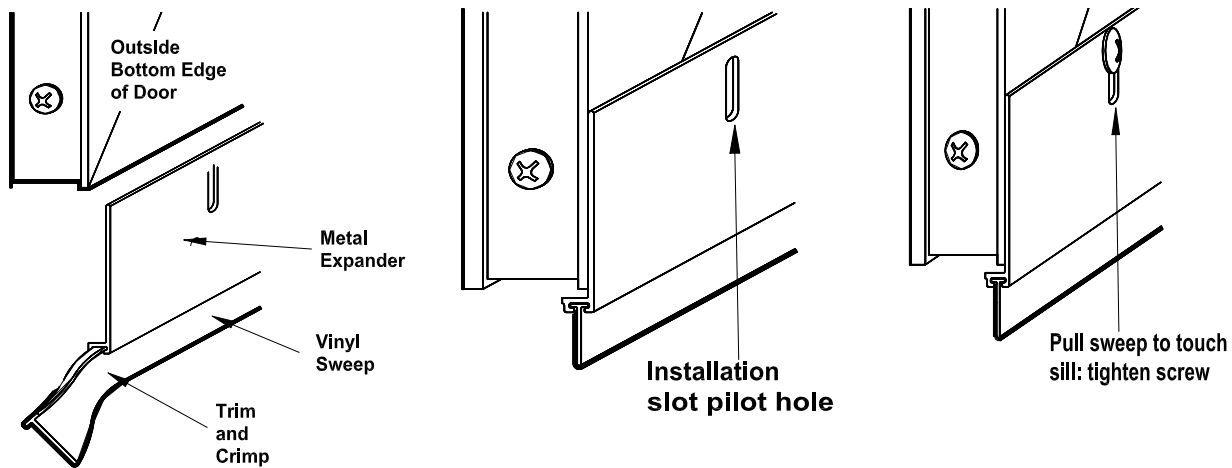


Fig.1

Fig. 2

Fig. 3

**STEP 7 INSTALLING STORM DOOR / MOUNTING FRAME TO BRICK MOULD**

1. Position hinged mounting frame tight against the brick mould and hold the door up so that the bottom inside sweep fins just touch the sill. See Fig. 1. If the inside fin binds on the sill, adjust the sweep up.

**NOTE:**

**For “L Shape” Expanders, if the inside fin does not touch the sill:** Measure the space the fin is short. Re-cut the bottom of the hinge-mounting frame this same measurement so that the fin touches the sill.

**For “U-Shape” Expanders, if the inside fin does not touch the sill:** Lower the sweep until the inside fin touches the sill. Drill a 1/8” pilot hole at bottom of installation slots and fasten with a #8 x 3/8” screw.

2. Using #8 x 1¼” screws, install top and bottom screws. Do not over tighten. See Fig. 2.
3. Open and close the door to ensure that it moves freely in the opening.
4. Drill 1/8” pilot hole through the remaining holes and fasten with #8 x 1¼” screws.
5. Open door to expose hinges. Drill 1/8” pilot hole through the remaining holes and fasten with #8 x 1¼” screws. See Fig. 3.

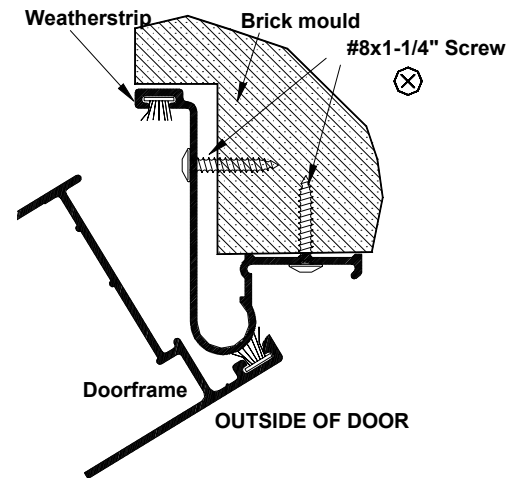
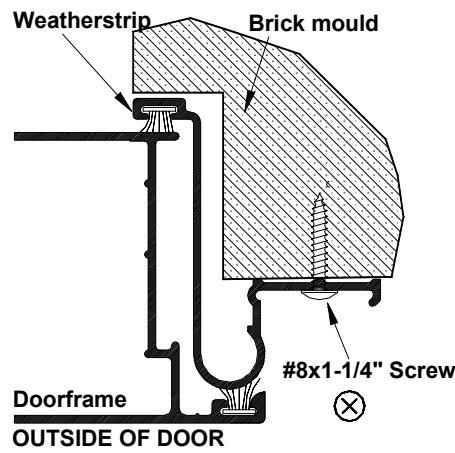
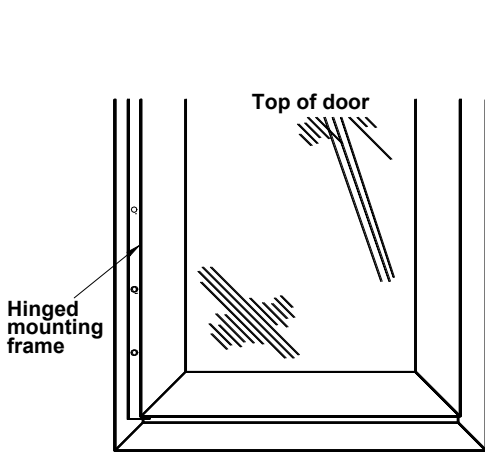


Fig. 1  
Fig. 3

Fig. 2

**STEP 8 INSTALLING HEADER MOUNTING FRAME**

1. With storm door in an open position, set header-mounting frame against the brick mould with one end resting on top of the hinged mounting frame. See Fig. 1.
2. Drill a 1/8” pilot hole in the hole closest to the hinge mounting frame and fasten with a #8 x 1¼” screw.
3. Holding the other end of the header-mounting frame in place, close the door.
4. Maintain an equal gap between the top of the storm door and the header-mounting frame.
5. Drill a 1/8” pilot hole in the hole at the other end of the header and fasten with a #8 x 1¼” screw. Repeat the process for the middle hole.

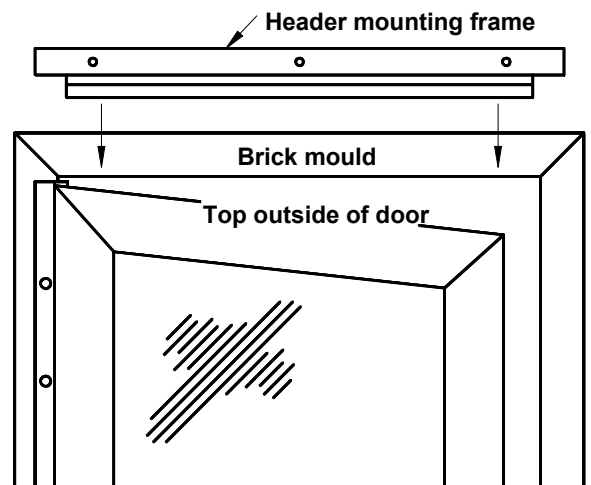


Fig. 1

**STEP 9****MEASURING AND INSTALLING LATCH MOUNTING FRAME**

There are several styles of latch mounting frames to fit. Overlap, Non-Overlap and Mortise. Determine your style from the following list of door series.

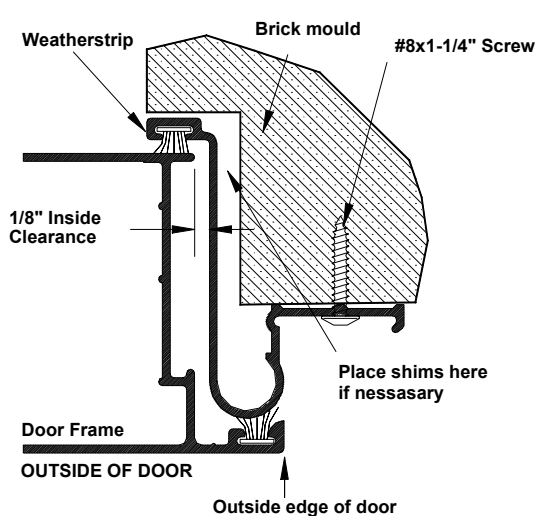
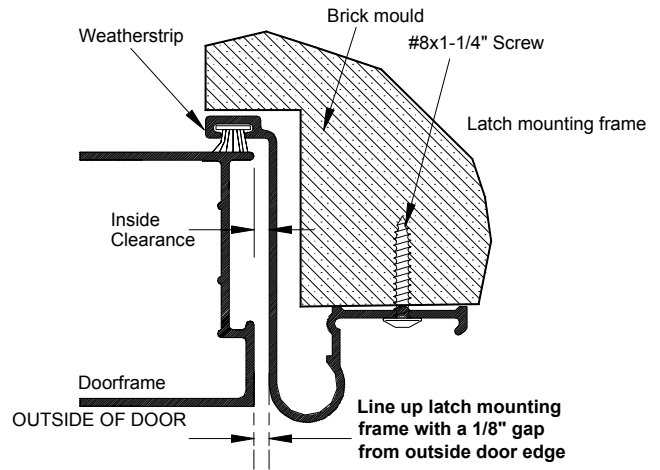
**Overlap:** Sure Seal, Regal Deluxe, Regal, Fiera, Northern, Lifestyle, and Signature

**Non-Overlap:** National, Provincial, And Classic

**Mortise:** Century

**FOR OVERLAP AND NON-OVERLAP**

1. Determine the top of the latch-mounting frame by holding it against the brick mould in the opening and mark the top.
2. Measure height of the latch side brick mould from the underside of the header-mounting frame to the bottom of the brick mould.
3. Starting at the top of the latch-mounting frame, measure down the same distance and draw a line. You may want to angle the line to follow the slope of your sill.
4. Using a hacksaw cut the frame on the line. Use a file to remove sharp burrs.
5. Position the latch-mounting frame against the brick mould and close the storm door.
6. For Overlap doors, see Fig. 1. Position the rounded leading edge of the latch-mounting frame behind the outside edge of the door from top to bottom. If required, shim the brick mould.
7. For Non-Overlap doors, see Fig. 2. Position the latch mounting frame so the inside edge of the storm door sits against the weather strip and maintains a 1/8" gap from top to bottom. If required, shim the brick mould.
8. Drill a 1/8" pilot hole through the top and bottom holes and fasten with #8x1 1/4" screws.
9. Open and close door to ensure free movement. On remaining holes, drill pilot hole and fasten.

**Overlap Model****Fig. 1****Non-Overlap Model****Fig. 2**

## MORTISE LATCH MOUNTING FRAME

### CUTTING THE TOP OF THE MORTISE LATCH MOUNTING FRAME

1. The mortise latch-mounting frame has two rectangles cut out of the side to accept the latch and deadbolt throw of the mortise style handle. See Fig. 1.
2. Position the latch-mounting frame against the brick mould and mark the top of the latch-mounting frame.
3. Using the cardboard template, place the pointed end of the plastic pushpin into the center small hole of the latch-mounting frame.
4. Rotate the template so the door heights 78, 79, 80, 81, 82, 83 are at the top of the frame.
5. Match the height of the storm door you purchased to the same height on the template and mark that hole with a pencil.
6. Remove the template and using a hacksaw cut the frame on your mark as square as possible. Use a file to remove burrs.

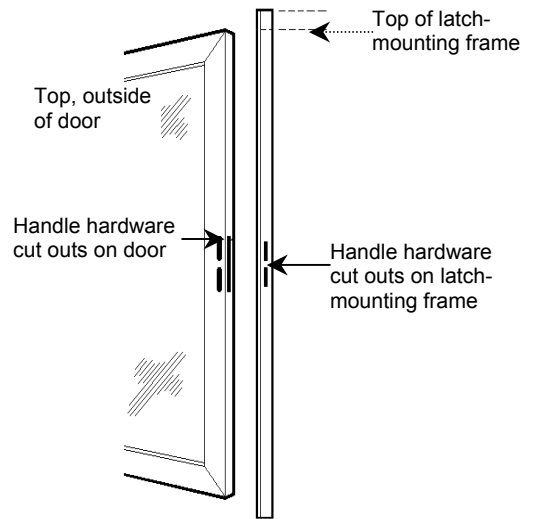


Fig. 1

### CUTTING THE BOTTOM OF THE MORTISE LATCH MOUNTING FRAME

1. Measure height of the latch side brick mould from the underside of the header-mounting frame to the bottom of the brick mould.
2. Starting at the top of the latch-mounting frame (previously cut), measure down the same distance and draw a line. You may want to angle the line to follow the slope of your sill.
3. Using a hacksaw cut the frame on the line. Use a file to remove burrs.
4. Position the latch-mounting frame against the brick mould and close the storm door. See Fig. 2.
5. Position the rounded leading edge of the latch-mounting frame behind the outside edge of the door from top to bottom.
6. If required, shim the brick mould.
7. Drill a 1/8" pilot hole through the top and bottom holes and fasten with #8 x 1 1/4" screws.
8. Open and close door to ensure free movement.
9. On remaining holes, drill pilot hole and fasten.

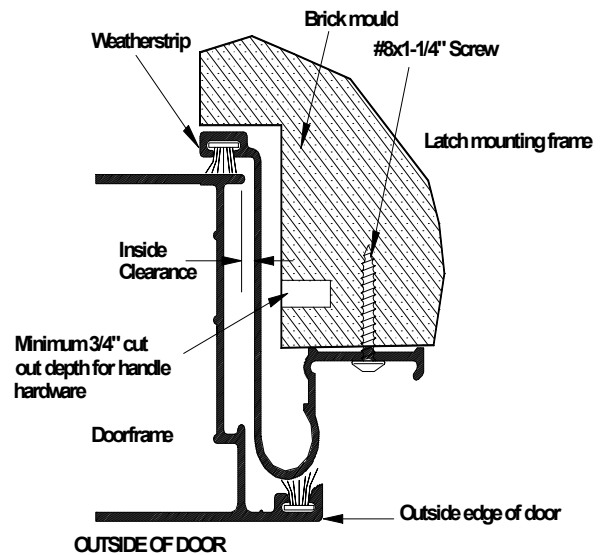


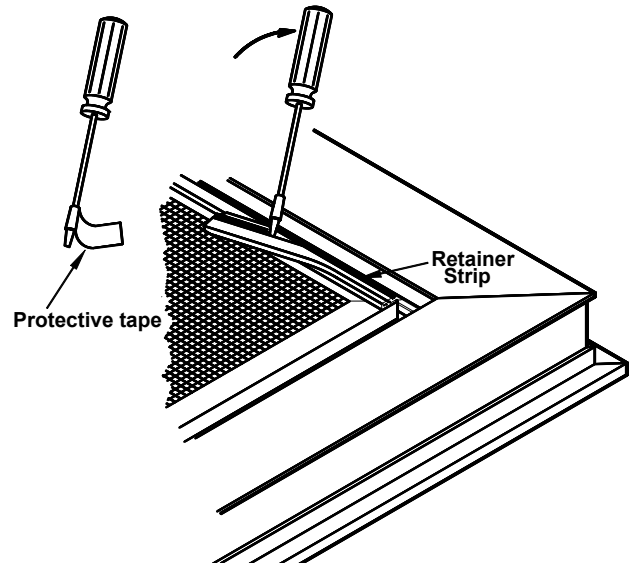
Fig. 2.



## HOW TO REMOVE GLASS OR SCREEN INSERTS USING VINYL RETAINERS

**IMPORTANT:** Hold the insert in place while removing the last vinyl retainer.

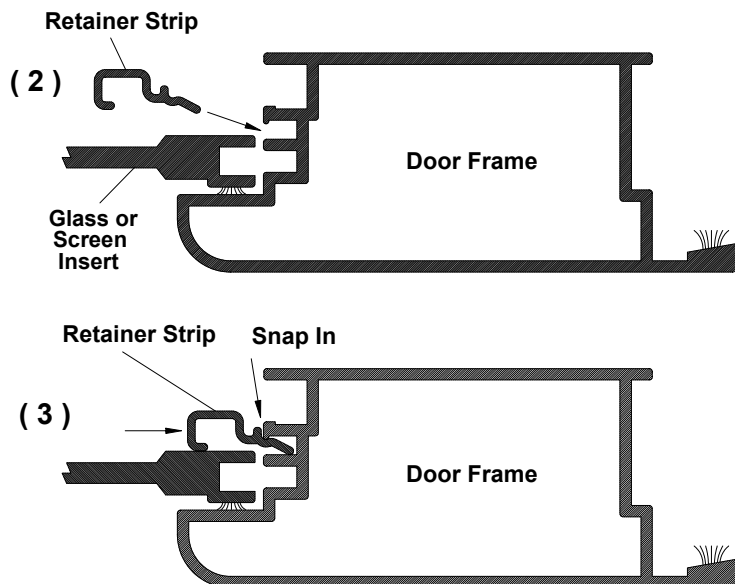
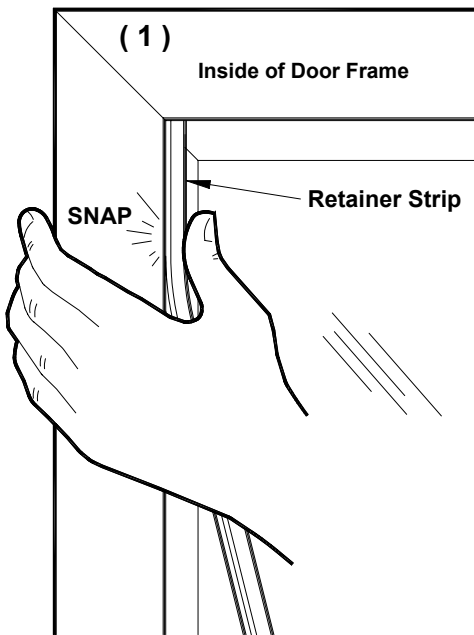
1. Wrap tip of slot screwdriver with tape to protect doorframe.
2. At one end of retainer, place screwdriver blade into retainer groove.
3. Push firmly toward center of insert. Repeat process every 4 inches.



## HOW TO INSTALL GLASS OR SCREEN INSERTS ON FULL LITE DOORS

To ease installation, rub a bar of soap along narrow edge of retainer.

1. Position and hold insert in doorframe. Install the longer side retainers first.
2. Starting at one end, place narrow edge of retainer in the groove between insert and doorframe. See Fig. 1.
3. Push retainer towards doorframe, working down the length of the retainer. See Fig. 2 and Fig. 3.



## HOW TO OPEN / CLOSE SLIDING GLASS INSERT FOR VENTILATION

Your door may have the screen system positioned in the top or bottom half of the door. Follow instructions that match your screen position.

### SCREEN IN TOP OF DOOR

**LOWERING INSERT:** In the closed position the bottom of the sliding glass insert interlocks with the crossbar to form a tight weather seal. To lower insert for ventilation, follow the 3 steps in the pictures.



Fig. 1

Depress latches and push glass insert upwards.

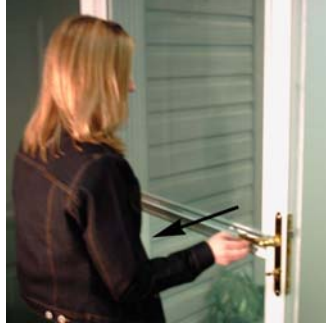


Fig. 2

Slightly pull the glass insert towards you to clear the crossbar.



Fig. 3

Lower the glass insert to the desired position for ventilation. Ensure latches lock into the channel holes before releasing the handle rail.

**CLOSING INSERT:** To close insert and set the interlock, follow the 3 steps in the pictures.



Fig. 1

Depress latches and push glass insert all the way to the top.

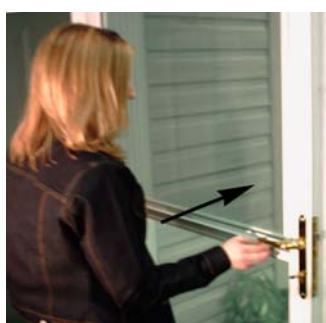


Fig. 2

Push the glass insert towards the screen insert.

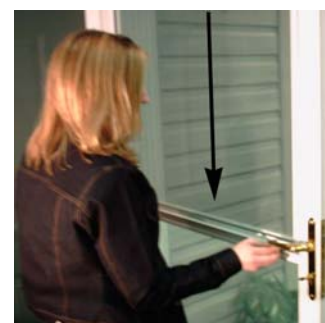


Fig. 3

Lower the glass insert so it rests on the crossbar. This engages the Interlock system.

To insure the interlock is set, hold the handle rail and depress both latches. If the insert moves downward the interlock is not set. Repeat again until interlock is set.

### SCREEN IN BOTTOM OF DOOR

1. To raise sliding glass insert, hold handle rail, depress both latches at bottom corners of insert and rise into position.
2. Insure latches release into precut holes in the channel.
3. To close insert, hold handle rail, depress latches and lower to interlock on crossbar.